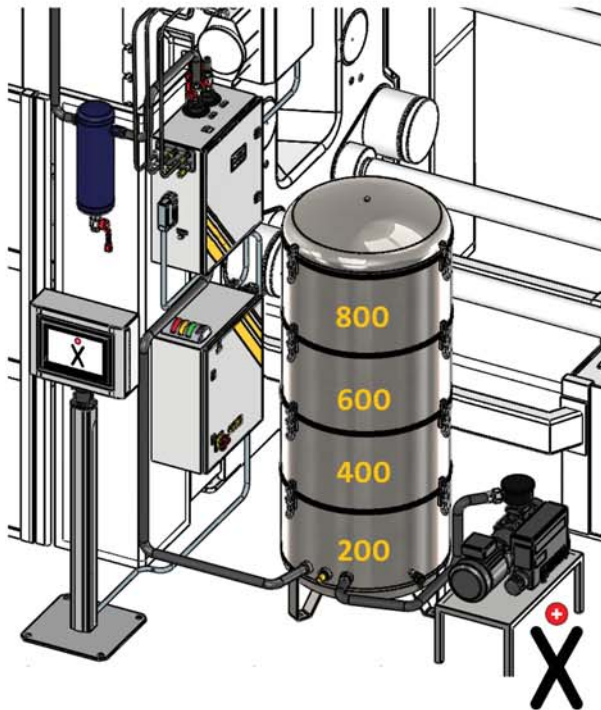


ProVac® F L E X VacuumSystem

New New New New New New

X Options in one single system
Complete and extremely flexible
Extensible just as you wish
Easy to place, wherever you want
For tailor-made applications

ProVac® FLEX Vacuumssystem! That's it !



The ProVac® FIX or FLEX Vacuumsystems offer you a variety of options with virtually no limits.

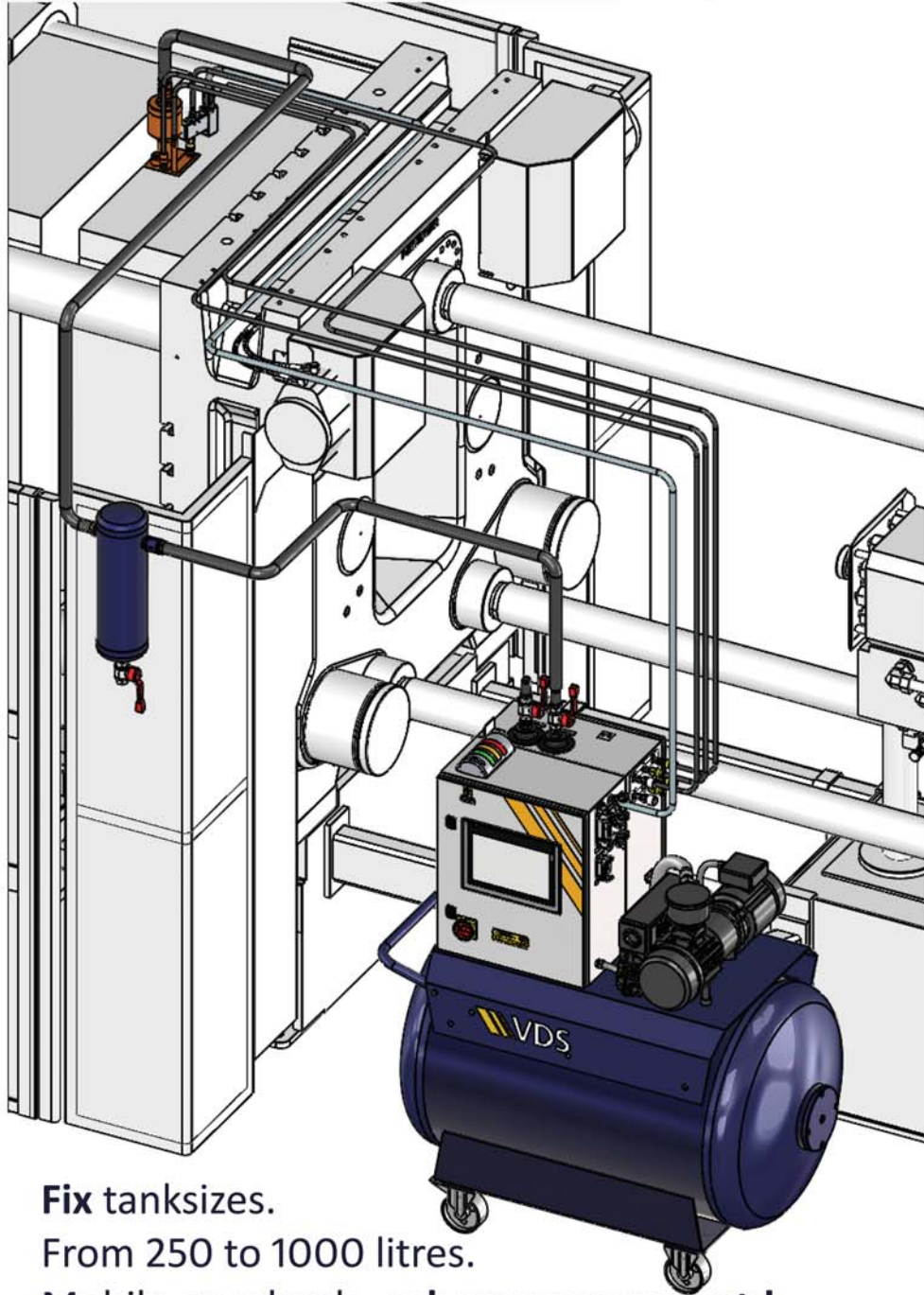
Using the ProVac® F L E X VacuumSystem you dispose of **one single system** to cast parts of multiple sizes and weights. Just insert additional elements to your existing vacuum-tank, from 200 up to 1000 Liter. Saving precious resources is also good for the climate and your finances by the way.

- Fully programmable PLC-Control-Units
- Programmable Interface
- Remote HMI panel to operate and monitor the system
- Industry 4.0
- Teleassistance VPN
- OPC-UA; Profinet
- Additional elements to **extend** the size of the tank
- Flexible positioning of the control-unit, tank and pump.
- Pumps with 40 m³/h, 63 m³/h or even higher capacity
- For all valve-types, chillvents and inserts

ProVac® Vacuum-systems are as flexible as YOU and tailor-made to suit YOUR needs. They offer maximum flexibility, definitely the right solution for YOU, for years to come. Simply clever!

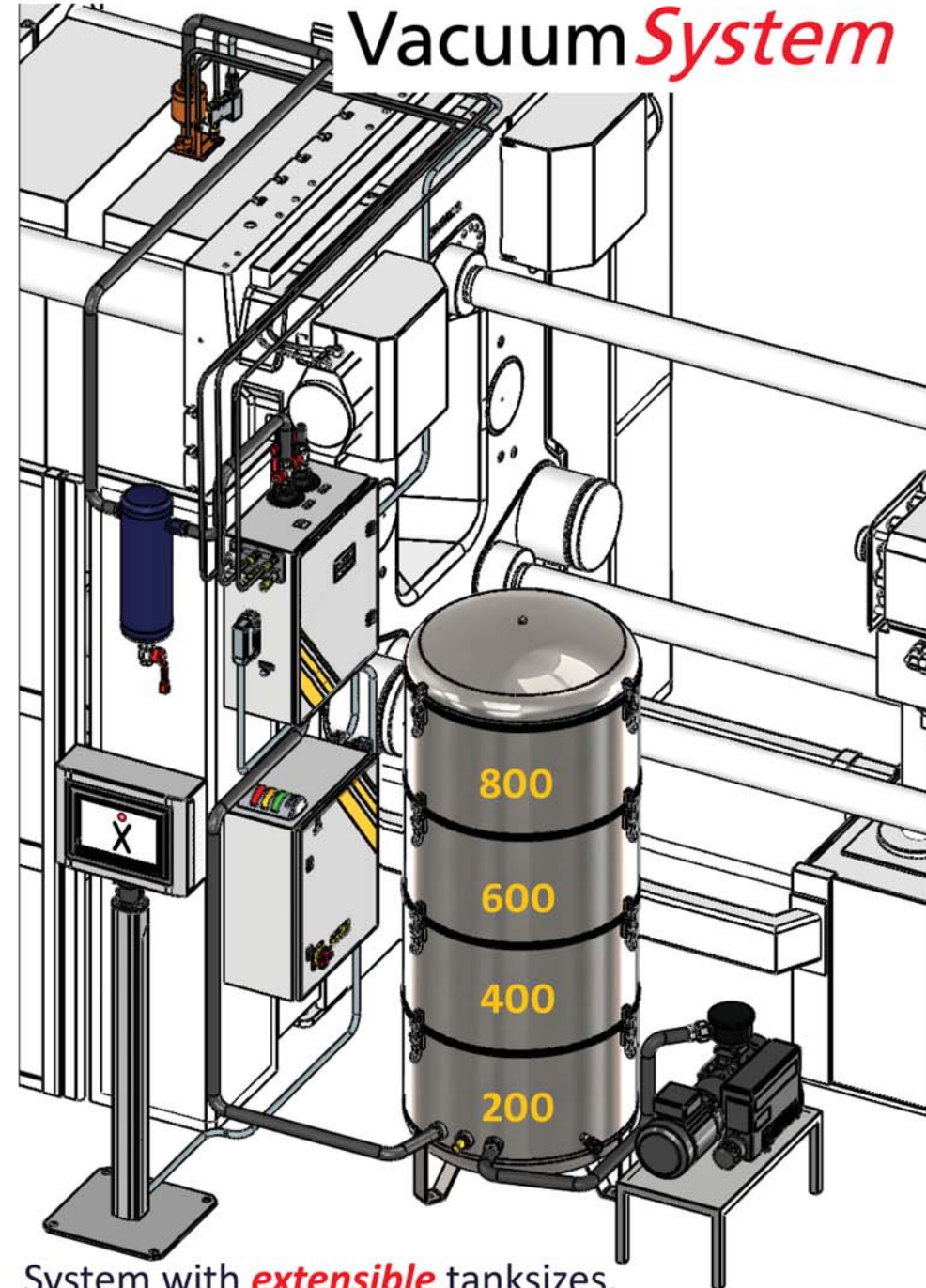
VDS - Know How... For YOU !

ProVac® **FIX** Vacuumsystems



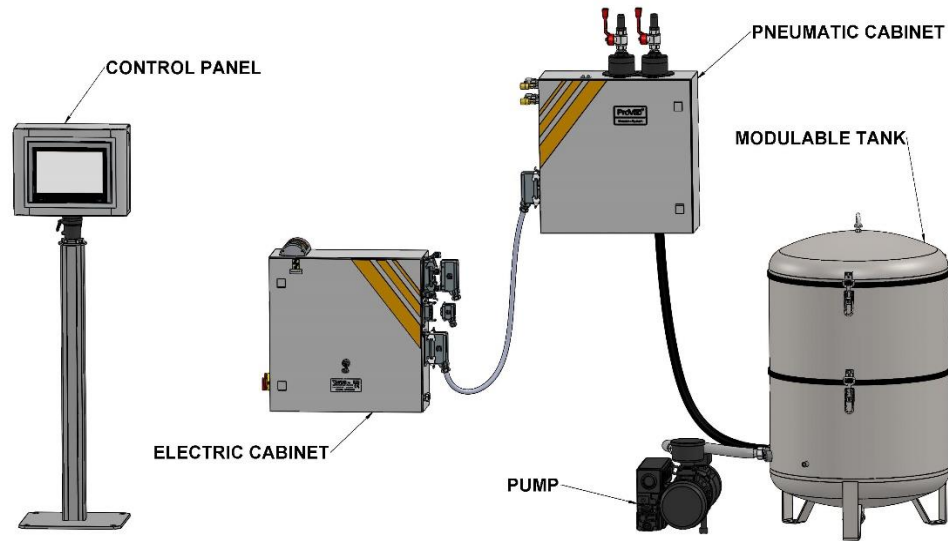
Fix tanksizes.
From 250 to 1000 litres.
Mobile on wheels , **wherever you want !**

ProVac® **F L E X** Vacuum *System*



System with **extensible** tanksizes.
From 200 to 1000 litres. **However you want !**

ProVac Vacuum System FLEX Characteristics



Type	FLEX 200	FLEX 400	FLEX 600	FLEX 800	FLEX 1000
Tank Size					
Capacity	200l	400l	600l	800l	1000l
Height	785mm	1165mm	1545mm	1925mm	2305mm
Diameter	700mm	700mm	700mm	700mm	700mm
Weight	65kg	92kg	119kg	146kg	173kg
Components					
Automation Siemens	S7 CPU-1500	S7 CPU-1500	S7 CPU-1500	S7 CPU-1500	S7 CPU-1500
Display	Touch Panel 12" Comfort	Touch Panel 12" Comfort	Touch Panel 12" Comfort	Touch Panel 12" Comfort	Touch Panel 12" Comfort
Vacuum Pump	1x40m ³	1x40m ³	1x63m ³	1x63m ³	1x - 2x63m ³
Festo pneumatic	x	x	x	x	x
Personalized language pack	x	x	x	x	x
Number of vacuum channels	2	2	2	2	2
Vacuum channels section (mm ²)	2x1140	2x1140	2x1140	2x1140	2x1140
FULLY OPTIONAL	ALL TEST	ALL VALVES OR CHILL VENTS	ASPIRATION ON SHOT SLEEVE	ALL CONNECTIVITY	